



Catalog Number
Notes
Type

Contractor Select™

ELM2L

Quantum® Contemporary Commercial LED Emergency Light



The Lithonia Lighting® Quantum® ELM2L Emergency Light is suitable for emergency lighting for applications such as stairways and hallways. Its high performance LED lamp heads makes the ELM2L ideal for safely illuminating the path of egress for applications requiring attractive LED unit equipment with quick installation and unparalleled performance for lower mounting heights. It can be wall or ceiling mounted and will provide 90 minutes of emergency power in the case of power loss.

FEATURES:

- Test switch and status indicator
- UL indoor damp location 50°F to 104°F (10°C to 40°C) listed standard

† Small Battery Chargers Certified in the CA Title 20 Appliance Efficiency Database.



Catalog Number	UPC	Description	Supply Voltage	Input Wattage		Input Amps		Pallet Qty	Carton Qty
				120	277	120	277		
ELM2L M12	191848091920	Quantum® LED Adjustable Optics 220 Lumens, 2.4W, Emergency Light, White housing, Nickel-cadmium battery	120/277V, 60hz	1.09	1.09	0.018	0.018	432	12
ELM2L UVOLT LTP M12	191848078112	Quantum® LED Adjustable Optics 220 Lumens, 2.4W, Emergency Light, White housing, Lithium Iron Phosphate Battery, Remote capacity	120-347V, 50/60Hz	1.35	1.35	0.022	0.022	432	12

Battery Capacity and Loading (ELM2L UVOLT LTP M12 Only)

Battery	Total Capacity	Maximum# Remote Lamp Heads*
9.6V	4.8W	2- ELMRE LP220L SGL M12
		1- ELMRE LP220L T M12
		1 - ELMRE LP220L FX0
		2 - ERE GY SGL WP SQ M12
		1 - ERE GY T WP SQ M12

* Remotes are in addition to the lamp heads on the product.

Accessories: Order as separate catalog number.	
ELA WG1	Wireguard 15-1/4" W x 13-3/4" H x 6" D (back mount only). See spec sheet ELA-WG .
WPVS SML W	Wet protective vandal shield (must be used for wet location applications)



Specifications

INTENDED USE:

Provides a minimum of 90 minutes illumination for the rated wattage upon loss of AC power to meet and exceed code required emergency lighting. Ideal for applications requiring attractive LED unit equipment with quick installation and unparalleled performance for lower mounting heights.

CONSTRUCTION:

The housing is a standard white thermoplastic with a compact and low-profile contemporary design. It is 5VA flame rated, impact-resistant, scratch-resistant and corrosion proof. The UV-stable resin resists discoloration from natural and man-made light sources. The back-plate contains a universal j-box mounting pattern to facilitate ease of installation on a wide variety of j-boxes and the front housing allows tool-less access for ease of maintenance.

OPTICS:

The typical life of the LED is 10 years. Two 1.2W LED Lamps.

CCT: 5000K

ELECTRICAL:

Orderable in multiple voltages. Emergency unit provided with test switch, status indicator and rechargeable battery. Sealed, maintenance-free nickel-cadmium or Lithium Iron Phosphate battery provides at least 90 minutes of emergency power.

INSTALLATION:

Wall and ceiling mount. Tool-less removal of front cover from back-plate for ease of installation and maintenance.

LISTINGS:

UL damp location listed standard and wet location listed when used with the WPVS accessory, all at 50-104°F (10-40°C). Meets or exceeds all applicable requirements for UL 924, NFPA 101 (current Life Safety Code), NFPA 70 (NEC), NOM (Norma Oficial Mexicana), California Energy Commission Title 20 section 1605.3 (W)(4), FCC Title 47, Part 15, Subpart B and OSHA. List and labeled to comply with Canadian Standards C22.2 No. 141-10.

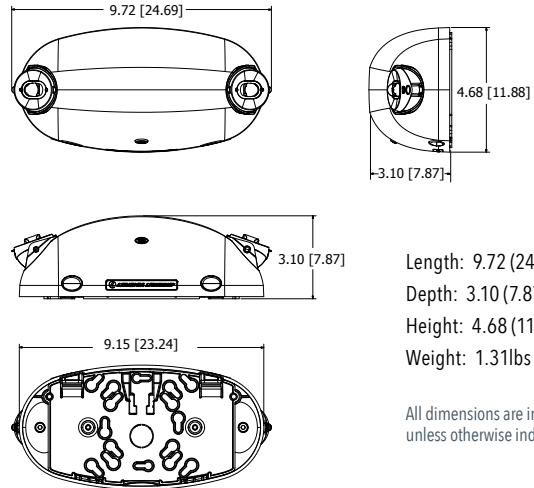
WARRANTY:

5-year limited warranty (Battery prorated). This is the only warranty provided and no other statements in this specification sheet create any warranty of any kind. All other express and implied warranties are disclaimed. Complete warranty terms located at:

www.acuitybrands.com/support/customer-support/terms-and-conditions

Note: Actual performance may differ as a result of end-user environment and application. All values are design or typical values, measured under laboratory conditions at 25 °C. Specifications subject to change without notice.

Dimensions



Spacing guidelines

Maximum Spacing Guidelines — ELM2L						
Mounting Height	Illumination Level	Single Luminaire Coverage		Multiple Luminaire Spacing		Application Notes
		3' Path of Egress	6' Path of Egress	3' Path of Egress	6' Path of Egress	
7.5'	1FC Avg ¹	32'	24'	35'	28'	100' Corridor, 8' wide, and 12' high with 80/50/20 reflectances
10'	1FC Avg ¹	20'	14'	27'	23'	

Notes:

- Also meets the additional illumination requirements of NFPA 101: 1FC minimum and max/min ratio of 40:1.

*Note: To see complete photometric report or download the .ies file for this product, visit Lithonia Lighting ELM2L home page.

